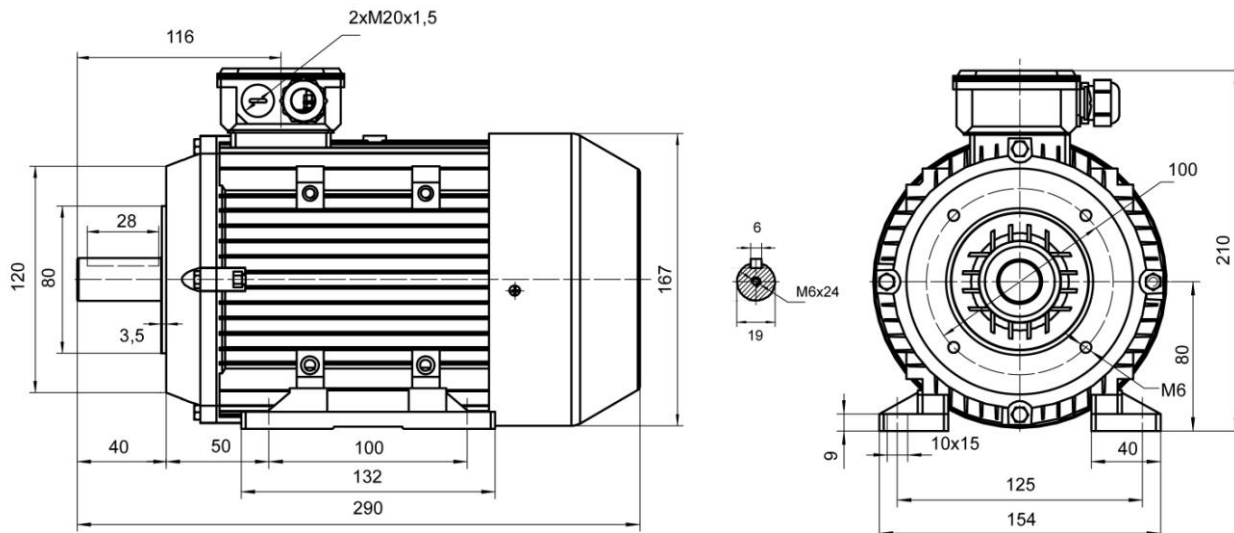


NAH 80 B-8 IE1

Abmessungen Drehstrom-Asynchronmotor / dimensions three phase asynchron motor IM B34A (mm)



Technische Daten / technical dates

|                                     |                      |               |  |                                   |         |
|-------------------------------------|----------------------|---------------|--|-----------------------------------|---------|
| Typ / type                          | NAH                  | 80 B-8 IE1    | Nennmoment / rated torque                              | (Nm)                              | 3,73    |
| Leistung / power                    | (kW)                 | 0,25          | Anlaufstrom-Nennstrom / starting current-rated current | (Ia/I <sub>n</sub> )              | 3,3     |
| Betriebsart / duty                  |                      | S1            | Anzugsmoment-Nennmoment starting torque-rated torque   | (M <sub>a</sub> /M <sub>n</sub> ) | 1,8     |
| Nennzahl/ speed (50 Hz)             | (min <sup>-1</sup> ) | 640           | Kippmoment-Nennmoment Pull-out torque                  | (M <sub>k</sub> /M <sub>n</sub> ) | 2,0     |
| Nennstrom / rated current           | (A)                  | 2,98/1,15     | Massenträgheitsmoment / moment of inertia              | (kgm <sup>2</sup> )               | 0,0009  |
| Spannung / voltage (+/-5%)          | (V)                  | 230/400 (Δ/Y) | Umgeb.-temp./ ambient temperature                      |                                   | 40°C    |
| Frequenz / frequency                | (Hz)                 | 50            | Lager / bearing  | (DE)                              | 6204 ZZ |
| Wirkungsgrad / efficiency           | (%)                  | 54,0          |  | (NDE)                             | 6204 ZZ |
| Leistungsfaktor / power factor      | (cos φ)              | 0,61          | Schallpegel / noise level                              | dB (A)                            | 62      |
| Schutzart / protection              |                      | IP55          | Gewicht / weight                                       | (kg)                              | 11      |
| Isolationsklasse / insulation class |                      | F             |  |                                   |         |

Schaltplan / connection diagram

